



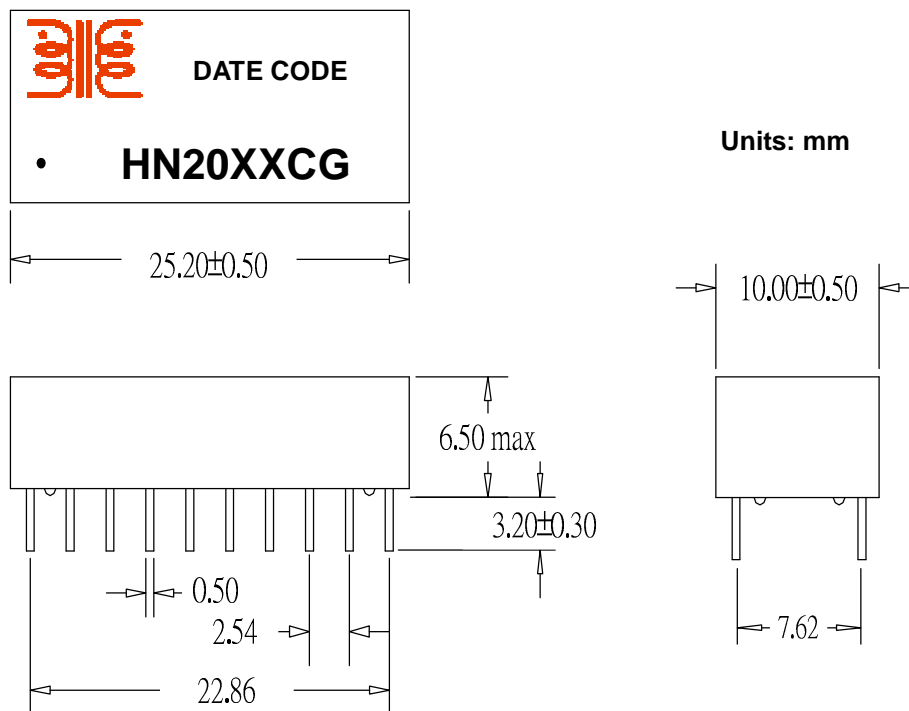
Features

- IEEE 802.3u and ANSIX3.263 standards including 350 μ H OCL with 8mA bias
- Symmetrical TX and RX channels for auto MDI/MDIX capability
- Product Type: Green Product

Electrical Specifications @25

Rise Time & Fall Time @5.0ns(Max), Isolation Hi-pot:1500Vrms(pri/sec), Pri.OCL:Tx&Rx:350 μ H min @Idc=8mA										
Part No.	Insertion Loss (dB Max)	Return Loss (dB Min)				Cross Talk (dB Min)	CMRR (dB Min)	CWW (pF typ) Tx&Rx	Pri. Resistance (Ω Max)	Turn Ratio Tx/Rx (\pm 5%)
		1-100	0.5-30	40	50					
	MHz	MHz				MHz	MHz		MHz	
HN2029CG	-1.1	-18	-15.5	-13.6	-12	-38	-40	50	0.9	1CT:1CT / 1CT:1CT
HN2063CG	-1.1	-18	-15	-13	-11	-38	-40	50	0.9	1CT:1CT / 1CT:1CT
HN2064CG	-1.1	-18	-15	-13	-11	-38	-40	50	0.9	1CT:1CT / 1CT:1CT
HN2066CG	-1.1	-18	-15	-13	-11	-38	-40	50	0.9	1CT:1CT / 1CT:1CT
HN2067CG	-1.1	-18	-15	-13	-11	-38	-40	50	0.9	1CT:1CT / 1CT:1CT
HN2074CG	-1.1	-18	-15	-13	-12	-38	-40	50	0.9	1CT:1CT / 1CT:1CT

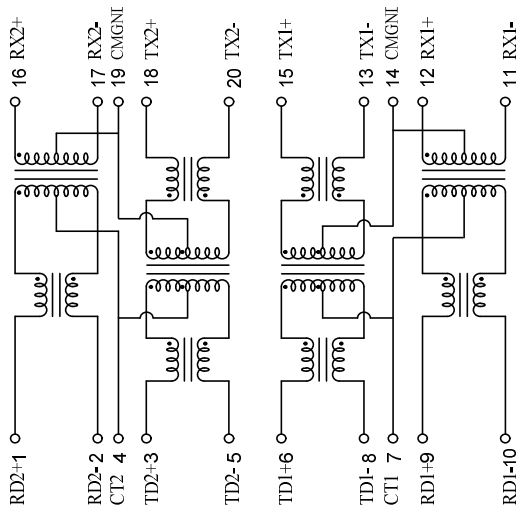
Dimension



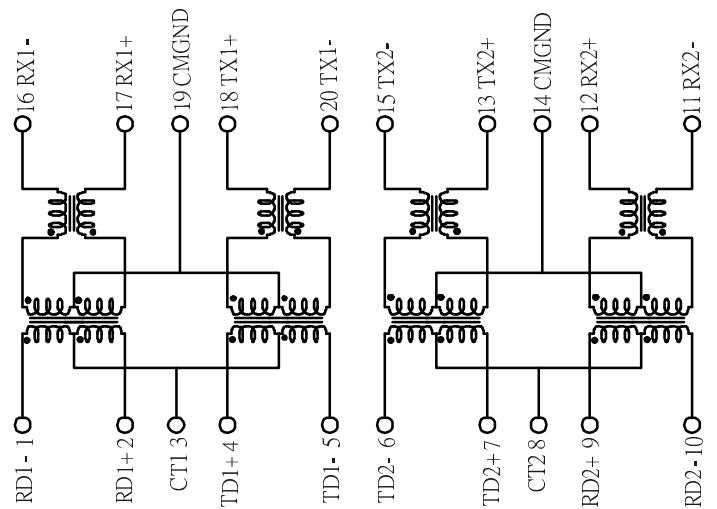


Schematic

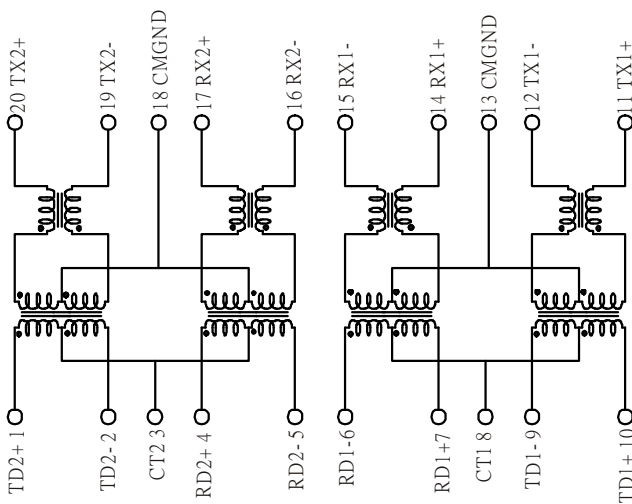
HN2029CG



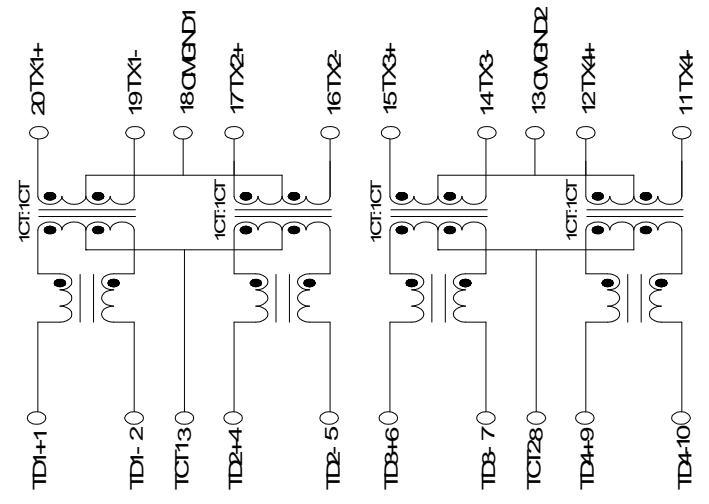
HN2063CG



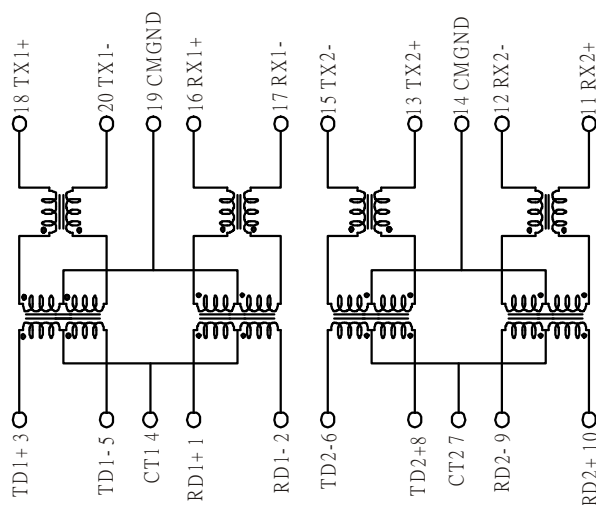
HN2064CG



HN2066CG



HN2067CG



HN2074CG

